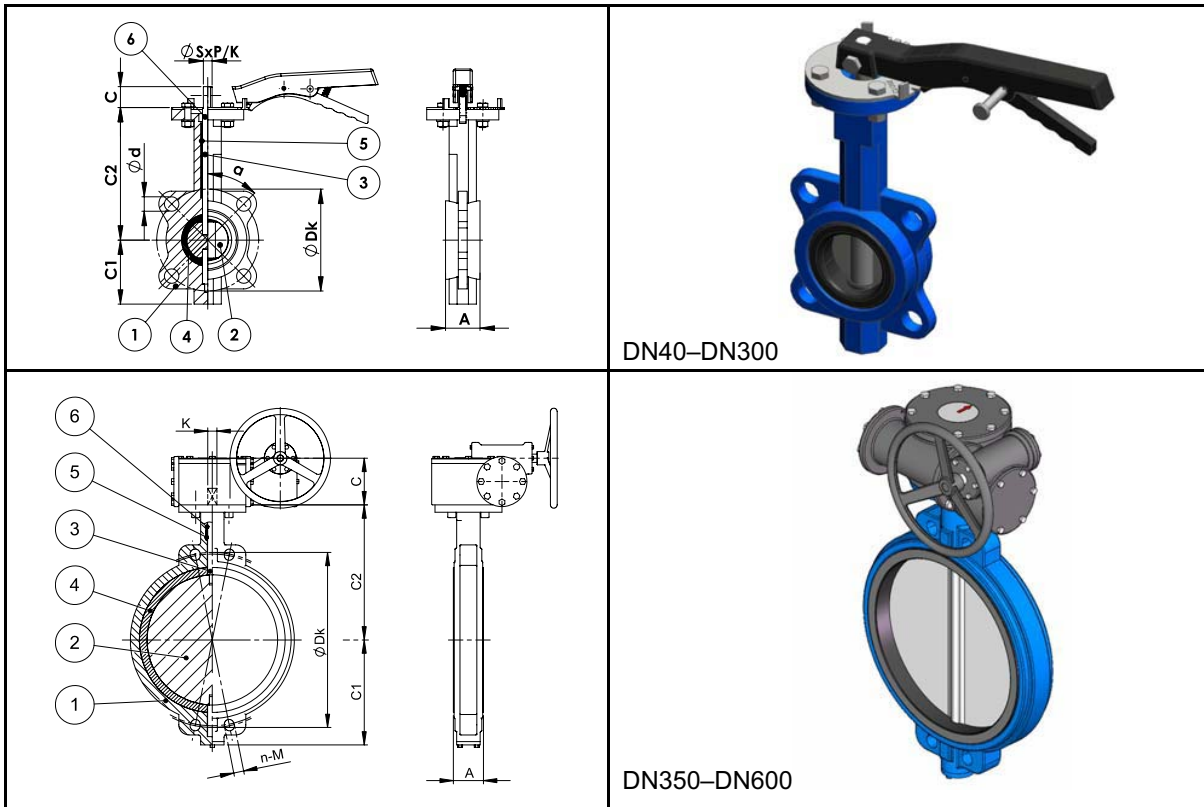


**WAFER BUTTERFLY VALVE**  
**DN40–DN600 CI/DI**



**Working temperature 0 °C/120 °C**

**Materials**

1	Body	Cast Iron – GG25
2	Disc	Ductile Iron – GGG50
3	Stem	Stainless Steel – A304
4	Seat	EPDM
5	Bushing	PTFE
6	O-Ring	EPDM

**Type: CI/DI**

**PN16**

Art. nr.	DN	A	ØDk	C1	C2	C	Ød	α	Top flange ISO	Shaft ØSxP/K	Weight (kg)
A029488	40	33,0	110	65	146	28	18	45	F07	K11	3,0
A012225	50	42,5	125	80	161	28	22,5	45	F07	K11	3,8
A012226	65	44,7	145	92	175	28	23	45	F07	K11	4,4
A012227	80	45,2	160	95	181	28	17	45/22,5	F07	K11	5,0
A012228	100	52,1	180	114	200	28	18	22,5	F07	K11	7,0
A012229	125	54,8	210	127	213	28	23	22,5	F07	K14	8,0
A012230	150	55,8	240	144	226	28	25	22,5	F07	K14	10,0
A012991	200	60,6	295	175	260	36	24,7	22,5/15	F10	K17	16,2
A016479	250	65,7	355	203	292	36	29	15	F10	K22	24,8
A012992	300	77,3	410	242	337	36	29	15	F10	K22	37,0

Art. nr.	DN	A	ØDk	C1	C2	C	n-M	Top flange ISO	Shaft ØSxP/K	Weight (kg)
A042300	350	80	470	270	370	80	4-Ø26	F12	K22	52,0
A042302	400	90	525	315	405	140	4-Ø30	F14	K27	101,0
A042303	450	110	585	335	425	140	4-Ø30	F14	K27	119,0
A042304	500	135	650	370	480	140	4-Ø33	F14	K27	168,0
A042305	600	160	770	465	565	150	20-Ø36	F16	K36	198,0

**Notes**

Suitable for installation between flanges drilled according to PN10 and PN16.

