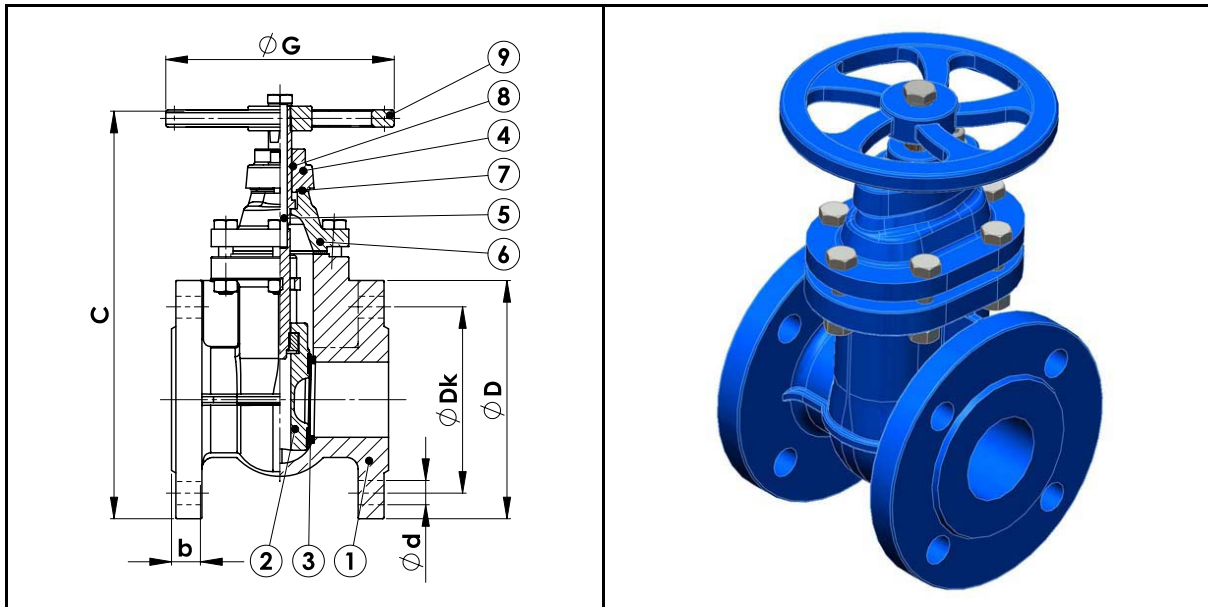


**GATE VALVE – METAL SEATED – FLAT BODY – NON RISING STEM – F4
DN40–DN300**



Working temperature 0 °C/120 °C

Materials

1	Body	Cast Iron – GG25
2	Wedge	Cast Iron – GG25
3	Body seat ring & disc seat ring	Brass
4	Stem nut	Brass
5	Stem	Stainless Steel – A304
6	Bonnet	Cast Iron – GG25
7	O-Ring	EPDM
8	Packing	Graphite
9	Handwheel	Cast Iron – GG25

PN16

Art. nr.	DN	A	ØD	C	ØDk	ØG	b	n-Ød	Weight (kg)
A020680	40	140	150	320	110	140	18	4-18	10,40
A011395	50	150	165	354	125	140	20	4-18	11,00
A012217	65	170	185	396	145	160	20	4-18	12,80
A011396	80	180	200	440	160	160	20	8-18	16,70
A011397	100	190	220	470	180	185	22	8-18	23,50
A012218	125	200	250	559	210	200	22	8-18	34,00
A012219	150	210	285	610	240	240	22	8-23	43,00
A012220	200	230	340	725	295	240	24	12-23	63,00
A029903	250	250	405	888	355	360	26	12-27	87,00
A029904	300	270	460	972	410	360	28	12-27	132,00

Notes

Face to face dimensions conform to DIN3202 F4.

